



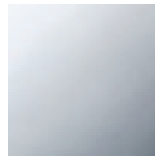
## Sink - MEM

Single-lever lavatory mixer with drain - polished chrome

Article number: 33 501 782-00 0010

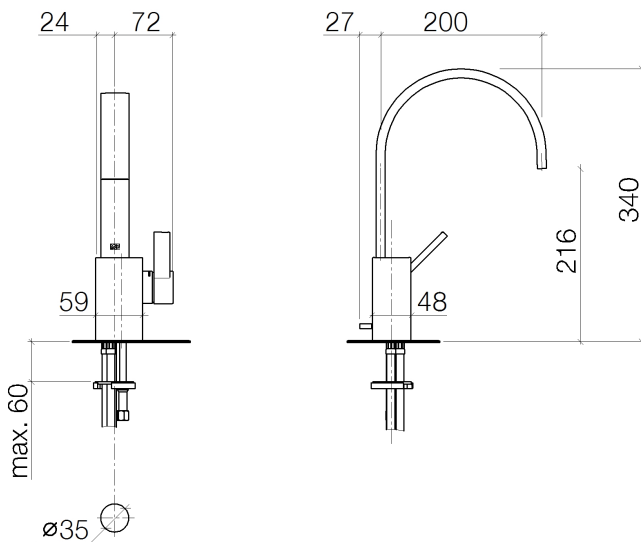


- 7-7/8" Projection
- US drain with overflow
- Rigid spout
- Rectangular aerated stream
- Total height 13-3/8"
- Height to aerator/spout outlet 8-1/2"
- 1-3/8" hole diameter
- 2x 3/8" US flexible supply lines
- Water flow rate limited to max. 1.2 gpm
- lead-free
- (ADA)
- Suitable only for basins with overflow.



polished chrome

## Dimensional drawing

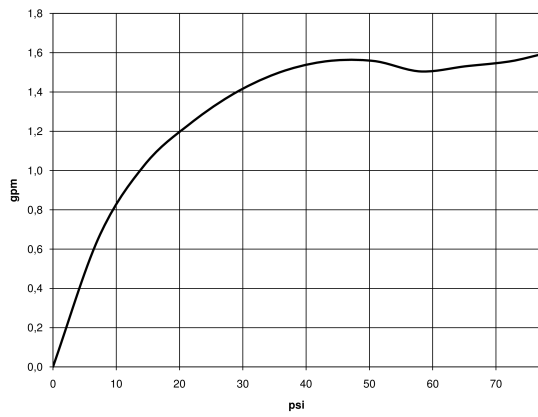




Sink - MEM  
Single-lever lavatory mixer with drain - polished chrome  
Article number: 33 501 782-00 0010

All dimensions in mm / inch = mm x 0,0394

Flow rate chart





## Sink - MEM

Single-lever lavatory mixer with drain - polished chrome

Article number: 33 501 782-00 0010

### Other surface finishes



platinum matte

33 501 782-06 0010



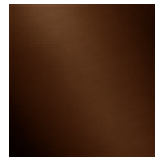
platinum

33 501 782-08 0010



Dark Brass matte

33 501 782-16 0010



Dark Bronze matte

33 501 782-17 0010



Cyprum

33 501 782-49 0010



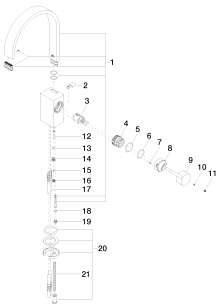
Dark Platinum matte

33 501 782-99 0010

More custom finish options are available via special production (xTra Service). Please see our finish matrix for availability and pricing or contact a Dornbracht representative.

### Spare parts list

Number	Item Number	Designation	Number of units
--------	-------------	-------------	-----------------



22